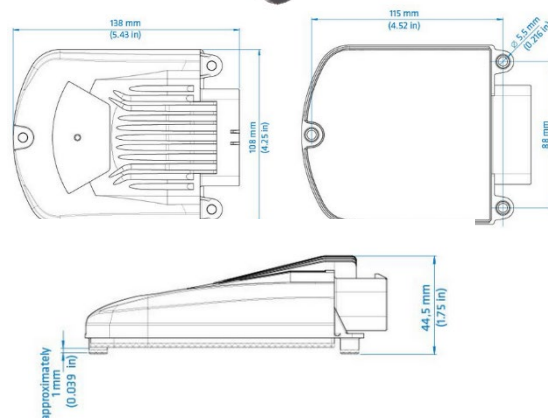


# EPEC 3610 CONTROL UNIT

ONE PAGER 3610

Epec 3610 Control Unit is a compact controller containing 22 I/O pins, all of them can be configured as input pins. Epec 3610 has an RS-232 serial port and as an assembly variant, I/O interface that is compatible with the previous Epec 2038 Control Unit. However, Epec 3610 also comes with completely new features like high-side current measurement and an internal 3-axis accelerometer, for example, for levelling purposes. Epec 3610 also has an option for accurate Pt1000 measurement.

The unit's casing works to protect the electronics against mechanical wear. The leak-proof zinc/plastic housing has also been widely tested against different environmental conditions. The unit is equipped with a signal LED for diagnostics. One CAN is also equipped with double pins to make cabling easier since there is no need for branches in the wire harness.



## TECHNICAL FEATURES

Processor: 16/32 bit CPU
Flash memory: 1,6 Mbyte
RAM: 138 kbyte
PLCopen application size: up to 768 kbyte
CAN: 1 or 2
I/O: 22 (14 inputs + 8 outputs)
IP class: IP67
Temperature range: -40 ... + 85 °C -40 ... +185 °F
Connectors: 1 x AMP 35
CODESYS version: 2.3
Supported CAN protocols: CANopen, SAEJ1939, ISOBUS
Two-colored diagnostic LED for quick status check and fault detection

## APPROVALS

Symbol / Name	Explanation
CE	This product complies with the requirements set in the CE Standard.
E17	This product is certified with normal automotive (E17) EMC (electromagnetic compatibility) standards.
RoHS2	This product complies with the RoHS directive (The Restriction of the use of certain Hazardous Substances in Electrical and Electronic Equipment).
AEF HW conformance*	This product has passed AEF HW conformance tests

\* Only for ISOBUS product version E30E3610-52

## VARIANTS & MANUALS

Ordering code	E30B3610-01	E30B3610-42	E30B3610-52	E30E3610-52
Technical Manual ID	MAN000667	MAN000668	MAN000669	MAN000681
CAN	1	2	2	2
RS-232	1	-	-	-
Accelerometer	-	-	yes	yes
5 V REF	1	1	1	1
PWM / DO / DI / CM (pull-down, high-side current measurement)	-	6	6	6
PWM / DO / DI (pull-down resistor)	6	-	-	-
FB / AI (1 A)	3	-	-	-
AI / DI (0-10 V)	-	3	3	3
AI / DI (0-5 V / 0-22 mA)	5	5	5	5
DO GND/DI (sinking)	2	2	2	2
DI / PI (pull-down, with hysteresis)	4	4	4	4
DI / PI (pull-down)	-	2	2	2
DI / PI (pull-up to +5V)	2	-	-	-
ISOBUS license	no	no	no	yes



[3610 Product Page](#)

YOUR CHALLENGE, OUR INSPIRATION.

