

EPEC XS6C CENTRAL UNIT

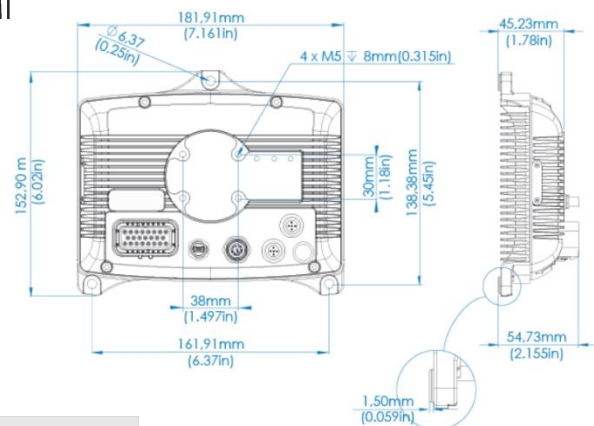
ONE PAGER XS6C

Epec XS6C Central Unit is targeted to be used as a master unit in centralized intelligence systems. Epec XS6C has up to 6 CANs to connect it with other devices and 2 Ethernets to enable, for example, IoT solutions. XS6C is wrapped in slim and leak-proof rugged aluminum housing and it's three diagnostic LEDs offer you quick status information.



Together with Epec's Cloud Services you'll also get the fastest to configure and most reliable IoT system/remote management solution in the market.

In case there is an occasional need for a graphical interface in the machine, with Epec 6200 and WebVisu solution you can use, for example, a smart phone as a temporary HMI when the machine is running.



TECHNICAL FEATURES

Processor: 32 bit dual/quad core CPU
Flash memory: 4 or 32 GByte
RAM: 1024 MByte
CAN: up to 6
Ethernet: 2
USB: 1
I/O: 5 (3 inputs and 2 outputs or 5 inputs and 0 outputs)
IP class: IP67
Temperature range: -30 ... + 65 °C -22 ... +149 °F
Connectors: 1 x AMP23, 2-4 x M12
CODESYS version: 3.5
Supported communication protocols: CANopen, SAEJ1939, MODBUS, NMEA 2000
3 three-colored diagnostic LED for quick status check and fault detection

APPROVALS

Symbol / Name	Explanation
CE	This product complies with the requirements set in the CE Standard.
E17	This product is certified with normal automotive (E17) EMC (electromagnetic compatibility) standards.
RoHS2	This product complies with the RoHS directive (The Restriction of the use of certain Hazardous Substances in Electrical and Electronic Equipment).
EU declaration of conformity	This device is in compliance with Directive 2014/53/EU. For more information, refer to the product's technical manual.